

Stainless Steel-Grub screws

with brass / plastic pivot

SPECIFICATION

Screw
Stainless Steel AISI 303

Thrust pivot

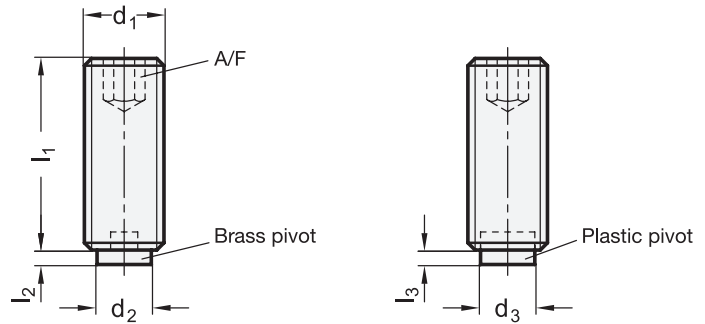
- Brass **MS**
- Plastic (Polyacetal POM) **KU**

INFORMATION

Stainless Steel-Grub screws GN 913.5 with pivots in brass or plastic are used in applications, where marks and damage on the workpiece are unacceptable.

TECHNICAL INFORMATION

- Stainless Steel characteristics (see page A26)
- Plastic characteristics (see page A2)



* Complete with type index of the Grub screws

MS	KU
Brass	Plastic

GN 913.5

STAINLESS STEEL

Description	d1	l1	d2	d3	l2	l3	A/F	⚖
GN 913.5-M3-3-*	M3	3	1.9	1.5	0.5	0.8	1.5	1
GN 913.5-M3-4-*	M3	4	1.9	1.5	0.5	0.8	1.5	1
GN 913.5-M3-5-*	M3	5	1.9	1.5	0.5	0.8	1.5	1
GN 913.5-M3-6-*	M3	6	1.9	1.5	0.5	0.8	1.5	1
GN 913.5-M3-8-*	M3	8	1.9	1.5	0.5	0.8	1.5	1
GN 913.5-M3-10-*	M3	10	1.9	1.5	0.5	0.8	1.5	1
GN 913.5-M4-4-*	M4	4	2.5	2	0.5	1.2	1.5	1
GN 913.5-M4-5-*	M4	5	2.5	2	0.5	1	1.5	1
GN 913.5-M4-6-*	M4	6	2.5	2	0.5	1	2	1
GN 913.5-M4-8-*	M4	8	2.5	2	0.5	1	2	1
GN 913.5-M4-10-*	M4	10	2.5	2	0.5	1	2	1
GN 913.5-M4-12-*	M4	12	2.5	2	0.5	1	2	1
GN 913.5-M4-16-*	M4	16	2.5	2	0.5	1	2	1
GN 913.5-M5-5-*	M5	5	3	3	0.5	1	2	1
GN 913.5-M5-6-*	M5	6	3	3	0.5	1	2	1
GN 913.5-M5-8-*	M5	8	3	3	0.5	1	2.5	1
GN 913.5-M5-10-*	M5	10	3	3	0.5	1	2.5	1
GN 913.5-M5-12-*	M5	12	3	3	0.5	1	2.5	1
GN 913.5-M5-16-*	M5	16	3	3	0.5	1	2.5	2
GN 913.5-M5-20-*	M5	20	3	3	0.5	1	2.5	2
GN 913.5-M6-6-*	M6	6	4	3.5	1	1.3	3	1
GN 913.5-M6-8-*	M6	8	4	3.5	1	1.3	3	1
GN 913.5-M6-10-*	M6	10	4	3.5	1	1.3	3	1
GN 913.5-M6-12-*	M6	12	4	3.5	1	1.3	3	2

GN 913.5

STAINLESS STEEL

Description	d1	l1	d2	d3	l2	l3	A/F	⚖
GN 913.5-M6-16-*	M6	16	4	3.5	1	1.3	3	2
GN 913.5-M6-20-*	M6	20	4	3.5	1	1.3	3	3
GN 913.5-M6-25-*	M6	25	4	3.5	1	1.3	3	4
GN 913.5-M6-32-*	M6	32	4	3.5	1	1.3	3	5
GN 913.5-M8-8-*	M8	8	6	5	1.5	1.6	4	1
GN 913.5-M8-10-*	M8	10	6	5	1.5	1.6	4	1
GN 913.5-M8-12-*	M8	12	6	5	1.5	1.6	4	2
GN 913.5-M8-16-*	M8	16	6	5	1.5	1.6	4	4
GN 913.5-M8-20-*	M8	20	6	5	1.5	1.6	4	5
GN 913.5-M8-25-*	M8	25	6	5	1.5	1.6	4	7
GN 913.5-M8-32-*	M8	32	6	5	1.5	1.6	4	6
GN 913.5-M8-40-*	M8	40	6	5	1.5	1.6	4	9
GN 913.5-M10-16-*	M10	16	8	6.5	2	1.9	5	5
GN 913.5-M10-20-*	M10	20	8	6.5	2	1.9	5	8
GN 913.5-M10-25-*	M10	25	8	6.5	2	1.9	5	10
GN 913.5-M10-32-*	M10	32	8	6.5	2	1.9	5	15
GN 913.5-M10-40-*	M10	40	8	6.5	2	1.9	5	17
GN 913.5-M10-50-*	M10	50	8	6.5	2	1.9	5	22
GN 913.5-M12-20-*	M12	20	10	8	2	2.1	6	9
GN 913.5-M12-25-*	M12	25	10	8	2	2.1	6	13
GN 913.5-M12-32-*	M12	32	10	8	2	2.1	6	18
GN 913.5-M12-40-*	M12	40	10	8	2	2.1	6	24
GN 913.5-M12-50-*	M12	50	10	8	2	2.1	6	30
GN 913.5-M12-63-*	M12	63	10	8	2	2.1	6	40